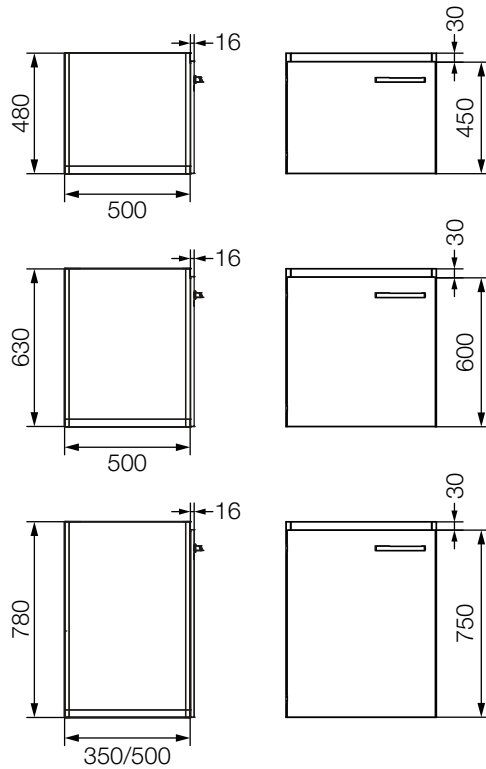


Utensils always ready to hand

- ✓ Variable and customisable
- ✓ Customised storage space as a mobile cabinet, suspended cabinet or solid with a steel plinth
- ✓ C-frame or A-frame
- ✓ Worktops customised to your requirements
- ✓ Load capacity
 - Load capacity per suspended and pedestal underbench cabinet: 120 kg
 - Load capacity per mobile cabinet: 100 kg
 - Floor, shelf, top: 30 kg each
 - Drawer, pull-out drawer: 30 kg each, 20 kg in mobile cabinets
 - Heavy-duty pull-out drawer, waste collector unit: 70 kg each



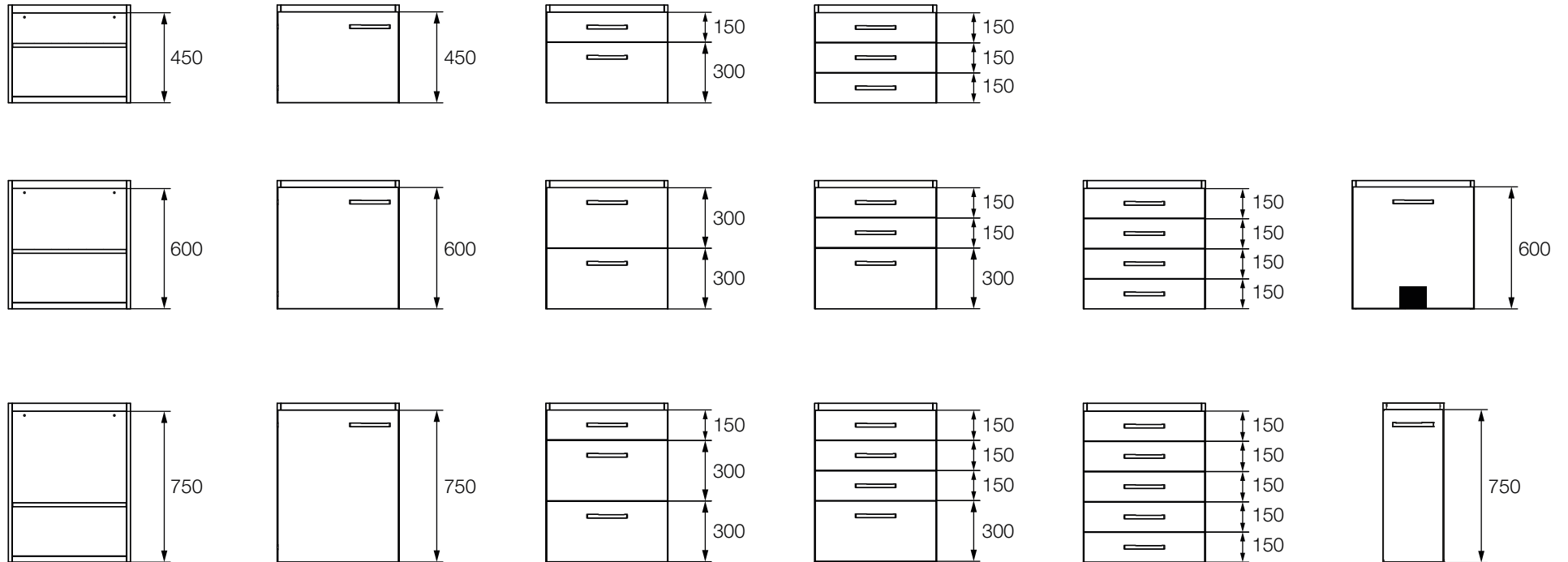


Dimensions of the carcasses without plinth, castors or frames

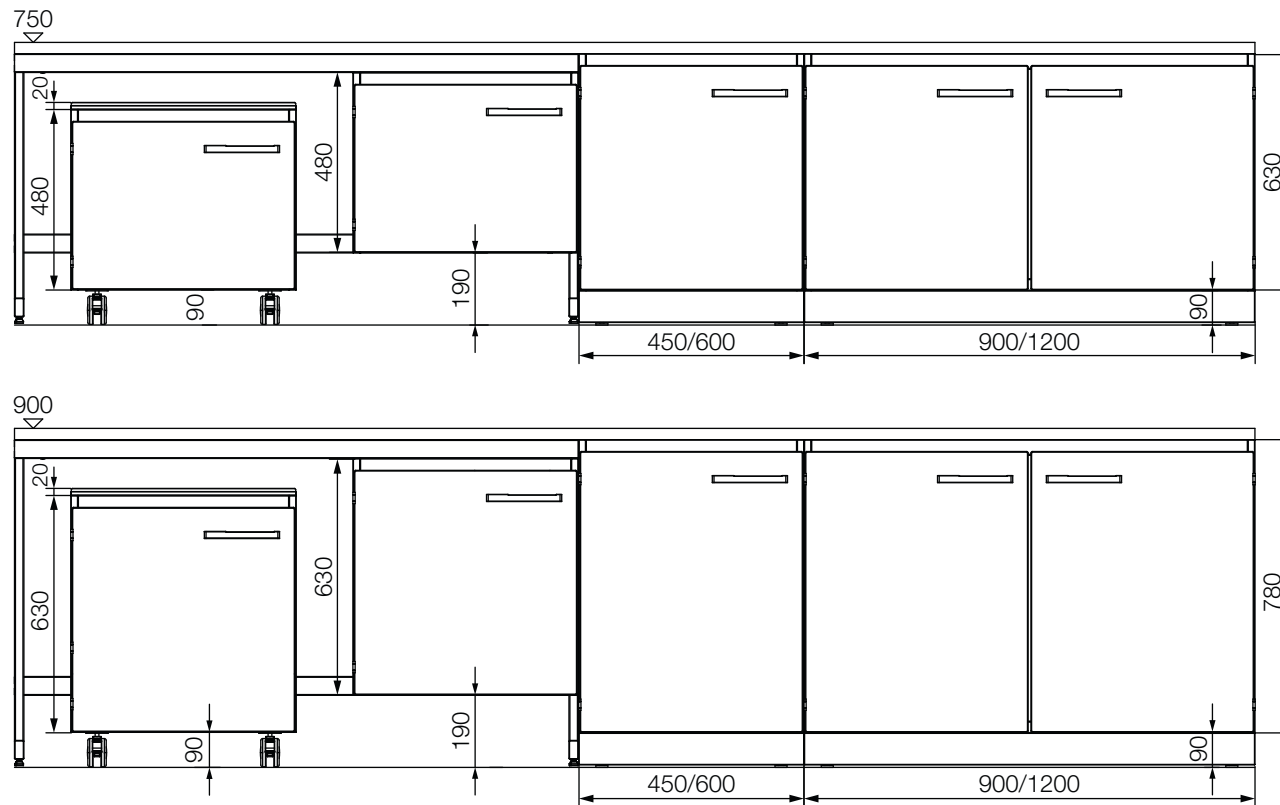
	Width	Height	Carcass depth
Pedestal underbench cabinet with steel plinth	300	720 / 870	350 / 500
	450	720 / 870	350 / 500
	600	720 / 870	350 / 500
	900	720 / 870	350 / 500
	1200	720 / 870	350 / 500
Mobile underbench cabinet with castors	450	580 / 730	500
	600	580 / 730	500
	900	580 / 730	500
	1200	580 / 730	500
Suspended underbench cabinet for frames	450	480 / 630	500
	600	480 / 630	500
	900	480 / 630	500
	1200	480 / 630	500

Dimensions [mm]

Overview of the front panels



Overview of underbench options

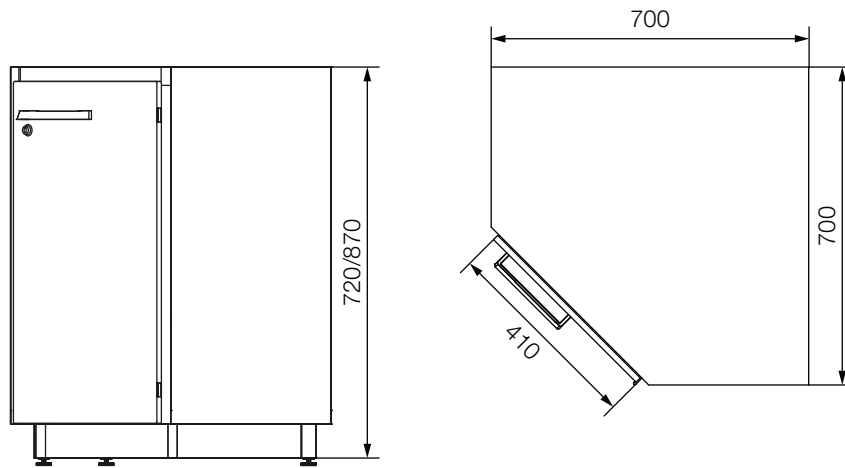


Ideal storage space solution for underbench corners

- ✓ Corner underbench cabinet solution for maximum storage space
- ✓ Elegant design
- ✓ Available at sitting or standing work height
- ✓ Ideal for storing consumables such as glove boxes or pipette tips



Octo underbench cabinet



	Width	Height	Carcass depth
Octo underbench cabinet at sitting work height with 1 hinged door on the left or right	700	720	700
Octo underbench cabinet at standing work height with 1 hinged door left or right	700	870	700

Dimensions [mm]