

# Adaptable worktop surface

Versatile single benches:

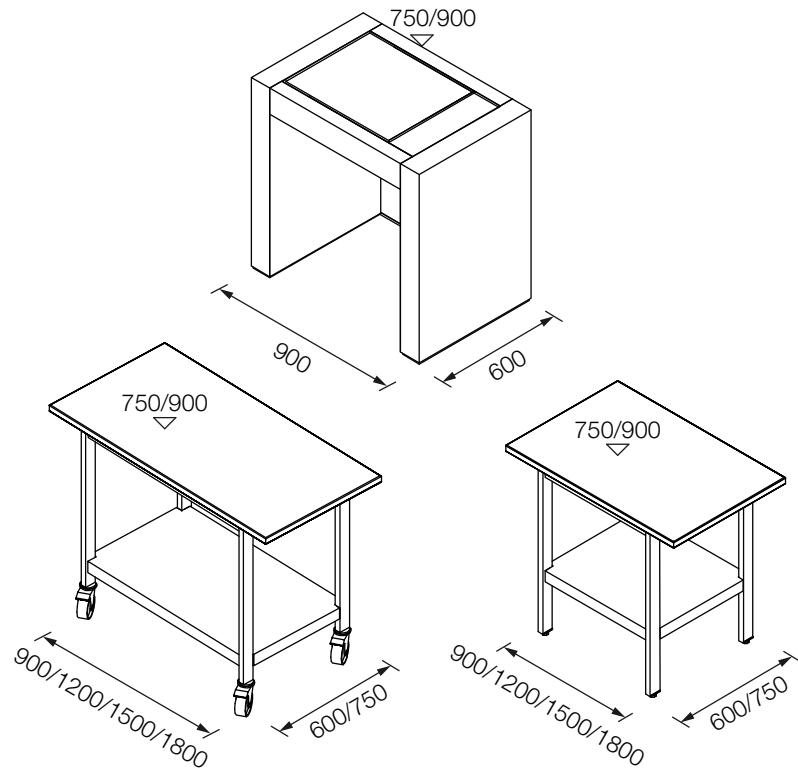
- ✓ Worktops optionally made of HPL or melamine
- ✓ Standard single bench
  - With castors, load-bearing up to 100 kg
  - Without castors, load-bearing up to 300 kg
- ✓ Also available as a heavy-duty table (only with castors)
  - Point load up to 200 kg, surface load up to 400 kg



## Reliable weighing – Balance benches

- ✓ For vibration-damped weighing
- ✓ Free-standing or for integration in a bench arrangement
- ✓ Available in sitting and standing work height





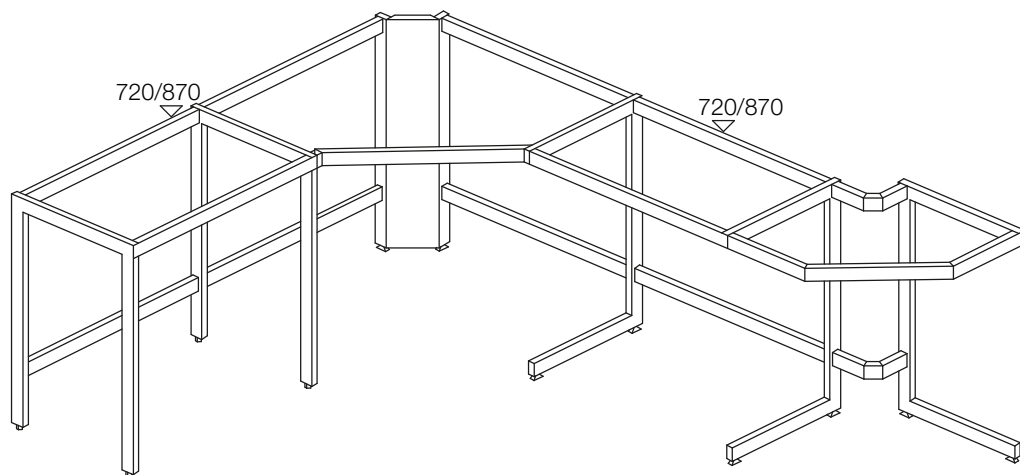
	Width	Height	Bench depth
Single bench without castors	900	750 / 900	600 / 750
	1200	750 / 900	600 / 750
	1500	750 / 900	600 / 750
	1800	750 / 900	600 / 750
Single bench with castors	900	750 / 900	600 / 750
	1200	750 / 900	600 / 750
	1500	750 / 900	600 / 750
	1800	750 / 900	600 / 750
Heavy-duty bench with castors	1200	750 / 900	600 / 750
	1500	750 / 900	600 / 750
	1800	750 / 900	600 / 750
Balance bench, free-standing	900	750 / 900	600
Balance bench, built-in	ca. 900	750 / 900	500 deep for work benches from width 900

Dimensions [mm]

# Flexible mounting: Bench frames

- ✓ Versatile combinations as wall and island work benches
- ✓ Also available in octagonal form
- ✓ For suspending underbench cabinets or in combination with mobile cabinets
- ✓ As a C-frame with generous legroom
- ✓ As an A-frame for particularly high load capacity and stability requirements
- ✓ High load capacity with both variants:
  - C-frame 250 kg/m<sup>2</sup> bench area
  - A-frame 350 kg/m<sup>2</sup> bench area





	Width	Height	Bench depth
A-frame	600	720 / 870	600 / 750 / 900
	900	720 / 870	600 / 750 / 900
	1200	720 / 870	600 / 750 / 900
	1500	720 / 870	600 / 750 / 900
	1800	720 / 870	600 / 750 / 900
C-frame	600	720 / 870	600 / 750 / 900
	900	720 / 870	600 / 750 / 900
	1200	720 / 870	600 / 750 / 900
	1500	720 / 870	600 / 750 / 900
	1800	720 / 870	600 / 750 / 900

Dimensions [mm]