

Service cells to meet diverse needs

Floor-mounted: installed behind the worktop or without a work bench, e.g. for supplying appliances

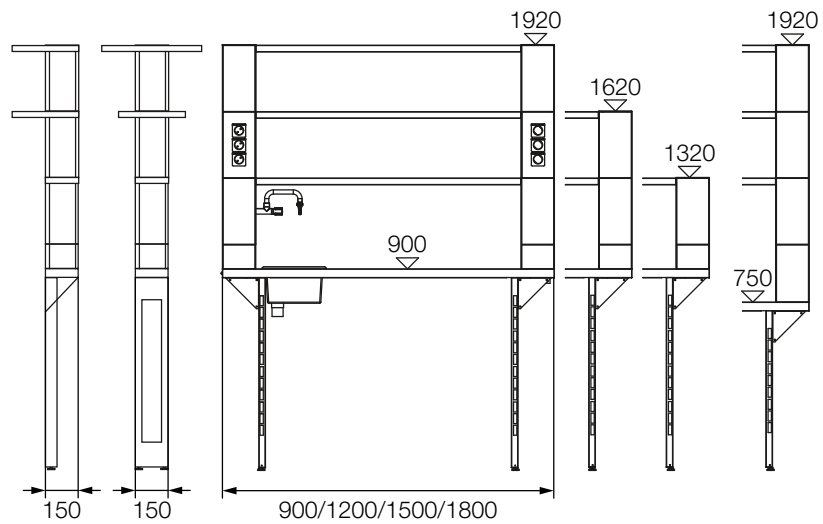
Bench-mounted: Fixed laboratory bench and cell unit for a greater work area



For the best possible space utilisation

- ✓ Transparent optics ensure a better overview and light in the laboratory
- ✓ Optimum supply of your workstation thanks to vertical arrangement of services in accordance with your requirements
- ✓ Cell cabinets and shelves provide additional space for work materials
- ✓ Splashbacks made of toughened safety glass or steel
- ✓ Load capacity:
 - Shelf: 15 kg each
 - Stand rod system: 5 kg total static load per holder





	Width	Height from the top edge of the floor	Height from the worktop	Depth
Service cell for sitting workstations	900	1320 / 1620 / 1920	570 / 870 / 1170	150
	1200	1320 / 1620 / 1920	570 / 870 / 1170	150
	1500	1320 / 1620 / 1920	570 / 870 / 1170	150
	1800	1320 / 1620 / 1920	570 / 870 / 1170	150
Service cell for standing workstations	900	1320 / 1620 / 1920	420 / 720 / 1020	150
	1200	1320 / 1620 / 1920	420 / 720 / 1020	150
	1500	1320 / 1620 / 1920	420 / 720 / 1020	150
	1800	1320 / 1620 / 1920	420 / 720 / 1020	150

Dimensions [mm]