

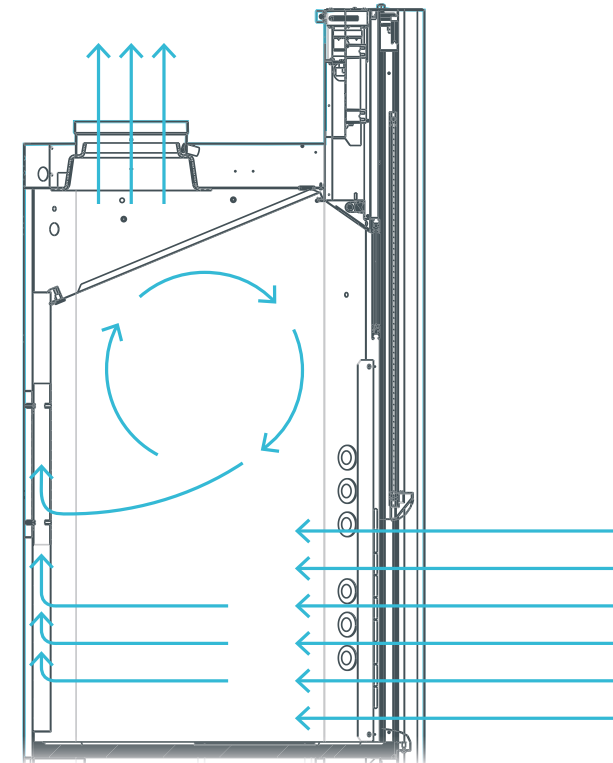
# Sustainable safety and cost-effectiveness



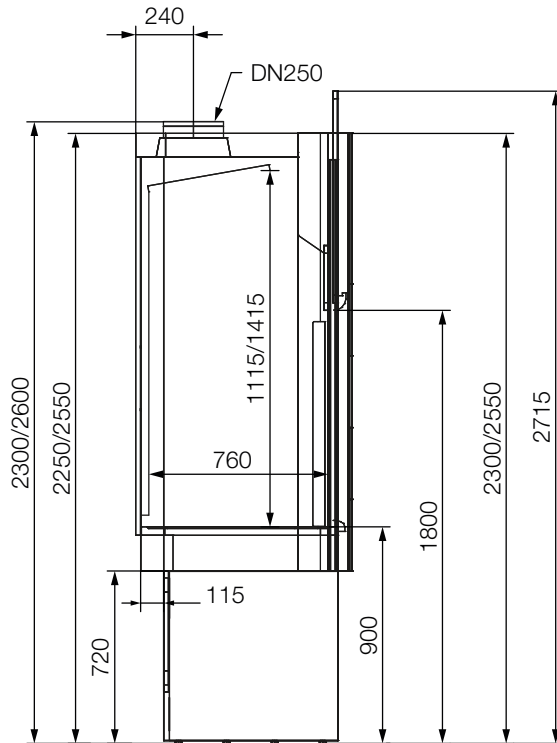
Thanks to its unique flow technology, the energy-efficient fume cupboard **EcoPlus** reduces the air volume flow rate while meeting all safety requirements. This **saves** up to **30 %** of the operating costs of a comparable standard model.



- ✓ Safety through flow-optimised geometry without complicated auxiliary air flow technology
- ✓ Operation with exemplary low 250 m<sup>3</sup>/h per linear metre of fume cupboard width
- ✓ Smaller duct cross-sections and smaller sized fans reduce capital expenditure for the fume extraction system
- ✓ Bench type fume cupboards are available in EcoPlus® variants and can be retrofitted afterwards

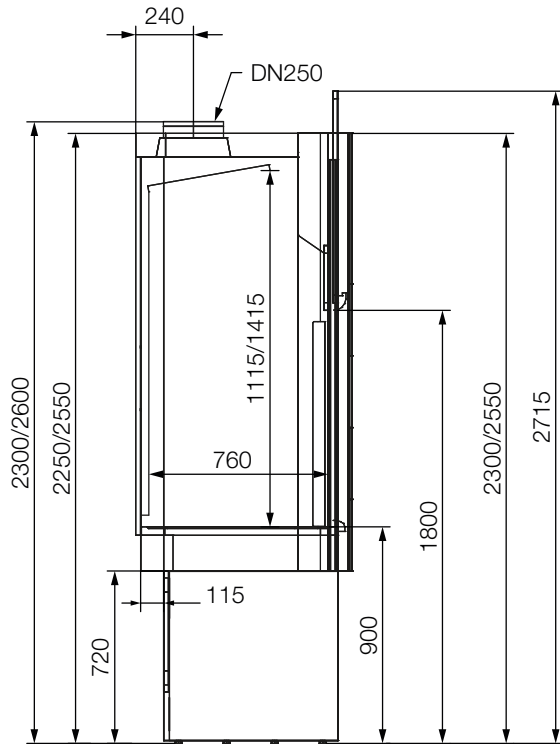


## Potential savings



Operating time per fume cupboard (1,500 mm fume cupboard)	Conventional fume cupboard		EXPLORIS EcoPlus®		Savings with EXPLORIS EcoPlus®
	m³	€	m³	€	
1 hour	600 m³	1.20 €	375 m³	0.75 €	<b>0.45 €</b>
1 day (8 hours)	4,800 m³	9.60 €	3,000 m³	6.00 €	<b>3.60 €</b>
1 year (250 days at 8 hours per day)	1,200,000 m³	2,400.00 €	750,000 m³	1,500.00 €	<b>900.00 €</b>
1 year (250 days at 24 hours per day)	3,600,000 m³	7,200.00 €	2,250,000 m³	4,500.00 €	<b>2,700.00 €</b>

Assumption: 1,000 m³ of conditioned laboratory air costs € 2.00.

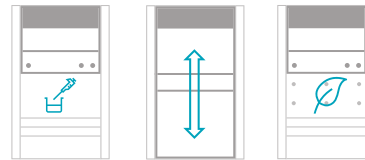


Width	1200	1500	1800	2000	2100
Front height	2300 / 2550	2300 / 2550	2300 / 2550	2300 / 2550	2300 / 2550
Chamber height	2300 / 2600	2300 / 2600	2300 / 2600	2300 / 2600	2300 / 2600
Depth	900	900	900	900	900
Usable space width	1100	1400	1700	1900	2000
Usable space height	1115 / 1415	1115 / 1415	1115 / 1415	1115 / 1415	1115 / 1415
Usable space depth	760	760	760	760	760
Work height	900	900	900	900	900
Minimal permissible volume flow rate*	300	375	450	530	530
Specified volume flow rate	360	450	540	630	630
Maximum permissible volume flow rate	1500	1500	1500	1500	1500

Dimensions [mm] / Volume flow rate [m³/h]

\* Alarm value

# Fume cupboards for general use



When selecting a fume cupboard, the most important considerations are the activities you do and the substances you use.

	Suitable	Occasional use	Not suitable
Organic solvents	x		
Weak acids	x		
Diluted inorganic acids	x		
Cold concentrated inorganic acids		x	
Hot concentrated inorganic acids			x
Hydrofluoric acid			x
Radioactive substances			x
High thermal load			x